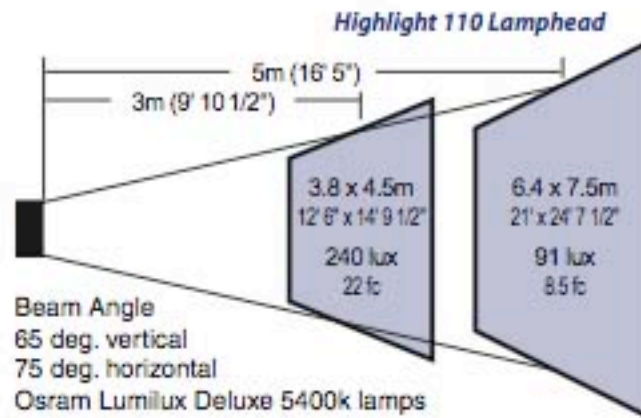


HIGHLIGHT 110

LAMPHEAD (2 x 55W lamps)

Ideal for location lighting or where ceiling height is limited, or anywhere a small broad fill light is required. Accepts colour frame, intensifier and honeycomb grids.

Mount: fits onto 16mm (5/8") spigot
Current draw at 220 to 260v approx. 1 Amp

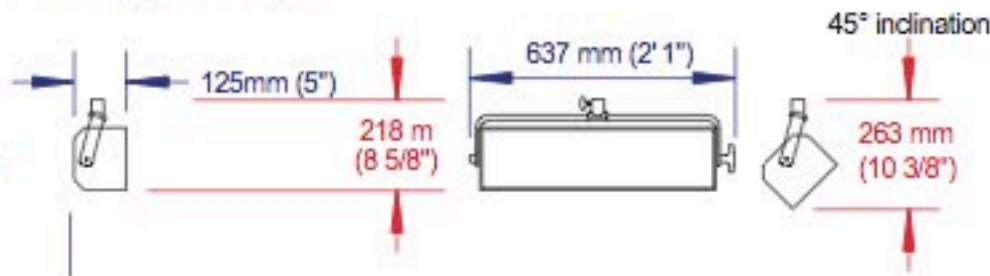


Catalogue Numbers:

A8624 Local dimmer control
A8622 DMX dimmer control
A8623 Phase dimmer control
for 3000K lamps add suffix T
for 5400K lamps add suffix D
for Pole Operation add suffix P
for Schuko style plug add suffix EUR
for 110v operation add suffix USA
for white finish add suffix W

Highlight 110 lamphead

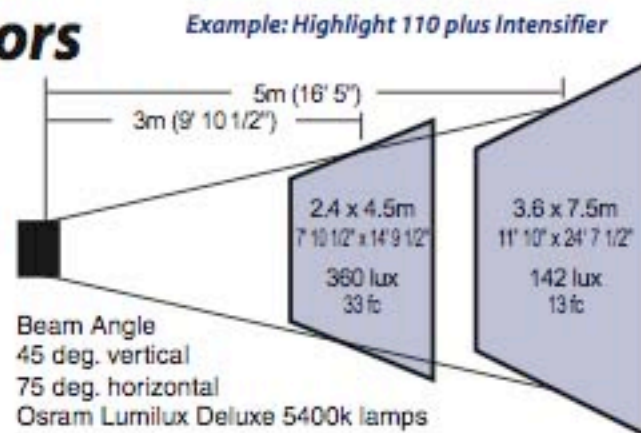
weight: 3.5kg (7lb 11oz)



Reflective Barndoors & Intensifiers

Available for 110, 220, 330 & 440

Both are available for each lamphead and are used to concentrate the beam and limit side spill. Intensifiers are more efficient, but are fixed beam angles, whilst barndoors allow adjustment.



Catalogue Numbers:

A8700 Intensifier (Shown above)
Weight: 0.75kg (1lb 10 1/2 oz)
A8706 Reflective Barndoor
for white finish add suffix W

Highlight 110 + intensifier

weight: 4.25kg (9lb 6oz)

